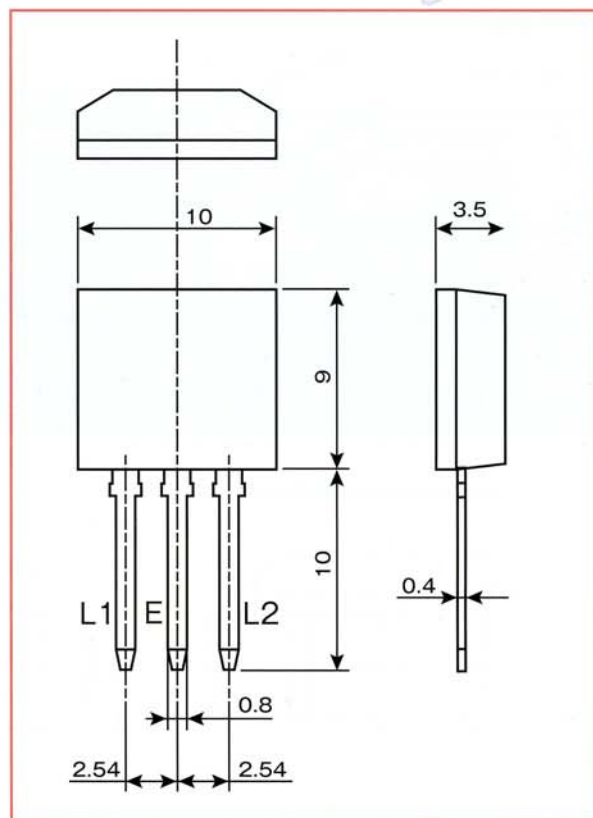
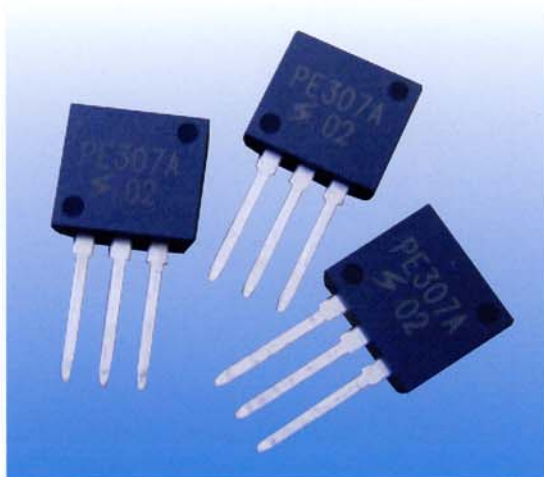
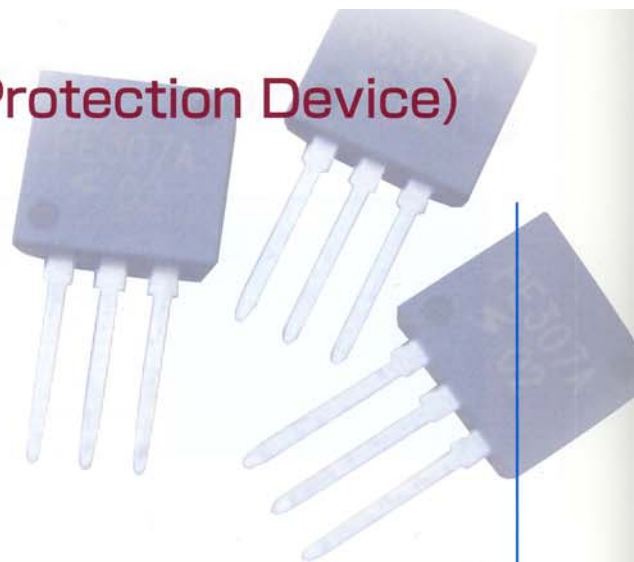


# SSPD (Solid-state Surge Protection Device)



CONSTRUCTION & DIMENSIONS

## Electrical Characteristics

Model Number		UL Approved P/N See Note3	PE305AF	PE307AF	PE310AF	PE315AF	PE324AF
Stand OFF Voltage	VSO	(V)	30	50	65	120	180
Breakdown Voltage	VBR at 100V/ms	(V)	40~75	60~110	85~120	125~195	200~270
Breakover Voltage	VBO at 100V/μs	(V)	≤90	≤130	≤130	≤220	≤300
Leakage Current	IL at VSO	(μA)	≤10	≤10	≤10	≤10	≤10
Holding Current	IH at 10/1000μs 50A	(mA)	≤150	≤150	≤150	≤150	≤150
		(V)	@DC30	@DC40	@DC52	@DC52	@DC52
Peak Pulse Current	Ipp 10/1000μs	(A)	200	200	200	200	200
Capacitance	C at 1MHz 1Vrms	(pF)	≤150	≤150	≤150	≤150	≤150

### Note:

1. Operating Temperature Range : -30~60°C

2. Storage Temperature Range : -40~125°C

3. Recognized under UL497B, File Number E140906.