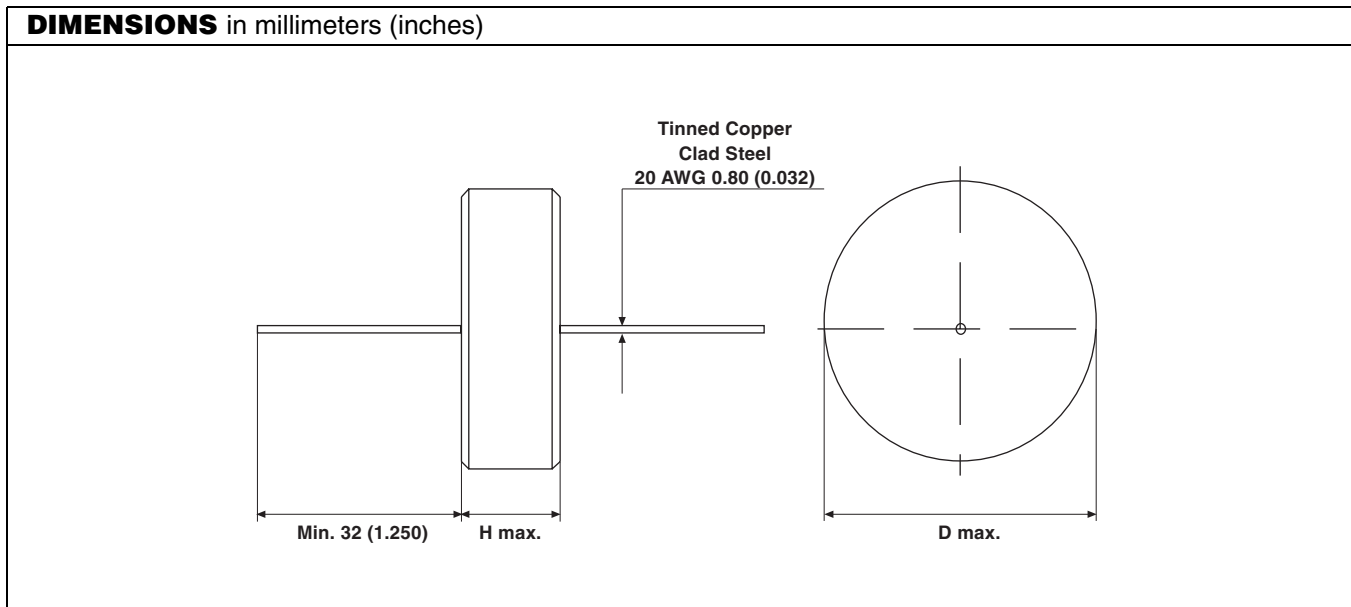


High Voltage Capacitors with Axial Leads

STANDARD VERSION	RoHS COMPLIANT VERSION
660C 10A ... 10 kV _{DC}	660R 10A ... 10 kV _{DC}
660C 15A ... 15 kV _{DC}	660R 15A ... 15 kV _{DC}
660C 20A ... 20 kV _{DC}	660R 20A ... 20 kV _{DC}
660C 30A ... 30 kV _{DC}	660R 30A ... 30 kV _{DC}

**RoHS
COMPLIANT**



DIELECTRIC STRENGTH

150 % of rated voltage (in dielectric fluid), charging current limited to 50 mA

DISSIPATION FACTOR $\tan \delta$

N4700: $\leq 2 \cdot 10^{-3}$ (1 kHz)
X7R, Z5U: $\leq 20 \cdot 10^{-3}$ (1 kHz)

INSULATION RESISTANCE

MIN. 200 000 M Ω , at 180 V_{DC} or 1000 Ω F

OPERATING TEMPERATURE RANGE

- 55 °C to + 125 °C

MATERIAL

Capacitor elements made from Class 1, Class 2 or Class 3 ceramic in a molded case, high temperature epoxy construction
Leads: Tinned copper clad steel

MARKING

Capacitance value and tolerance,
Rated DC voltage, T/C code,
Production date code, CM mark

ORDERING INFORMATION				
660C20AZT68	20 kV _{DC}	680 pF	$\pm 20 \%$	N4700
MODEL	RATED VOLTAGE	CAPACITANCE VALUE	TOLERANCE	CERAMIC



MODEL NUMBER 4TH DIGIT: C = STANDARD R = RoHS COMPLIANT	CERAMIC	CAP. VALUE (pF)	TOLERANCE (%)	RATED VOLTAGE (kV _{DC})	RATED VOLTAGE (kV _{RMS})	D MAX. (mm)	D MAX. (In)	H MAX. (mm)	H MAX. (In)				
660.10AZ....													
660.10AZT47	N4700	470	± 20 %	10	3	21	0.83	13	0.50				
660.10AZD10		1000				30	1.18						
660.10AZD20		2000				37	1.45						
660.10AC...													
660.10ACT18	X7R	180	± 20 %	10	3	21	0.83	13	0.50				
660.10ACT22		220											
660.10ACT33		330											
660.10ACT47		470											
660.10ACT68		680											
660.10ACD10		1000											
660.10ACD15		1500				30	1.18	15	0.60				
660.10ACD22		2200								14	0.55		
660.10ACD33		3300								13	0.50		
660.10ACD47		4700				37	1.45						
660.10AE...													
660.10AED15		Z5U				1500	+ 80/- 20 %	10	3	21	0.83	13	0.50
660.10AED22	2200												
660.10AED33	3300												
660.10AED47	4700		37	1.45	11	0.45							
660.10AED68	6800												
660.10AES10	10 000												
660.15AZ...													
660.15AZT39	N4700	390	± 20 %	15	5	21	0.83	13	0.50				
660.15AZT82		820				30	1.18						
660.15AZD15		1500				37	1.45			11	0.45		
660.15AC...													
660.15ACT10	X7R	100	± 20 %	15	5	21	0.83	13	0.50				
660.15ACT22		220											
660.15ACT33		330											
660.15ACT47		470											
660.15ACT68		680											
660.15ACD10		1000											
660.15ACD15		1500				30	1.18	15	0.60				
660.15ACD22		2200								17	0.65		
660.15ACD33		3300								15	0.60		
660.15ACD39		3900				37	1.45						
660.15AE...													
660.15AED10		Z5U				1000	+ 80/- 20 %	15	5	21	0.83	13	0.50
660.15AED15	1500												
660.15AED22	2200												
660.15AED33	3300		30	1.18	13	0.50							
660.15AED47	4700												
660.15AED68	6800												
660.20AZ...													
660.20AZT22	N4700	220	± 20 %	20	7	21	0.83	15	0.60				
660.20AZT68		680				30	1.18						
660.20AZD10		1000				37	1.45						

MODEL NUMBER 4TH DIGIT: C = STANDARD R = RoHS COMPLIANT	CERAMIC	CAP. VALUE (pF)	TOLERANCE (%)	RATED VOLTAGE (kV _{DC})	RATED VOLTAGE (kV _{RMS})	D MAX. (mm)	D MAX. (in)	H MAX. (mm)	H MAX. (in)								
660.20AC...																	
660.20ACT10	X7R	100	± 20 %	20	7	21	0.83	15	0.60								
660.20ACT22																	
660.20ACT33																	
660.20ACT47																	
660.20ACT68																	
660.20ACD10		30				1000	± 20 %	20	7	30	1.18	15	0.60				
660.20ACD15																	
660.20ACD22																	
660.20ACD25																	
660.20ACD27																	
660.20ACD10						37								1500	± 20 %	20	7
660.20ACD15																	
660.20ACD22																	
660.20ACD25																	
660.20ACD10	37	2200	± 20 %	20	7	37	1.45	19	0.75								
660.20ACD15																	
660.20ACD22	37	2500	± 20 %	20	7	37	1.45	19	0.75								
660.20ACD25																	
660.20ACD27	37	2700	± 20 %	20	7	37	1.45	20	0.80								
660.20ACD27																	
660.20AE...																	
660.20AET68	Z5U	680	+ 80/- 20 %	20	7	21	0.83	15	0.60								
660.20AED10																	
660.20AED15																	
660.20AED22																	
660.20AED22		30				2200	+ 80/- 20 %	20	7	30	1.18	15	0.60				
660.20AED33																	
660.20AED47																	
660.20AED50																	
660.20AED47	37	4700	+ 80/- 20 %	20	7	37	1.45	19	0.75								
660.20AED50																	
660.20AED50	37	5000	+ 80/- 20 %	20	7	37	1.45	14	0.55								
660.20AED50																	
660.30AZ...																	
660.30AZT18	N4700	180	± 20 %	30	10	21	0.83	20	0.80								
660.30AZT47																	
660.30AZT68																	
660.30AZT47	N4700	470	± 20 %	30	10	30	1.18	20	0.80								
660.30AZT68																	
660.30AZT68																	
660.30AZT68	N4700	680	± 20 %	30	10	37	1.45	20	0.80								
660.30AZT68																	
660.30AZT68																	
660.30AC...																	
660.30ACT10	X7R	100	± 20 %	30	10	21	0.83	20	0.80								
660.30ACT22																	
660.30ACT33																	
660.30ACT47																	
660.30ACT68																	
660.30ACT68		30				680	± 20 %	30	10	30	1.18	20	0.80				
660.30ACD10																	
660.30ACD15																	
660.30ACD20																	
660.30ACD10	37	1000	± 20 %	30	10	37	1.45	20	0.80								
660.30ACD15																	
660.30ACD20																	
660.30ACD15	37	1500	± 20 %	30	10	37	1.45	20	0.80								
660.30ACD20																	
660.30ACD20	37	2000	± 20 %	30	10	37	1.45	20	0.80								
660.30ACD20																	
660.30AE...																	
660.30AET47	Z5U	470	+ 80/- 20 %	30	10	21	0.83	20	0.80								
660.30AET68																	
660.30AET82																	
660.30AED10																	
660.30AED12																	
660.30AED15																	
660.30AED15		30				1200	+ 80/- 20 %	30	10	30	1.18	19	0.75				
660.30AED18																	
660.30AED20																	
660.30AED22																	
660.30AED25																	
660.30AED30																	
660.30AED33																	
660.30AED33																	
660.30AED33	37	3000	+ 80/- 20 %	30	10	37	1.45	19	0.75								
660.30AED33																	
660.30AED33	37	3300	+ 80/- 20 %	30	10	37	1.45	20	0.80								
660.30AED33																	



Disclaimer

ALL PRODUCT, PRODUCT SPECIFICATIONS AND DATA ARE SUBJECT TO CHANGE WITHOUT NOTICE TO IMPROVE RELIABILITY, FUNCTION OR DESIGN OR OTHERWISE.

Vishay Intertechnology, Inc., its affiliates, agents, and employees, and all persons acting on its or their behalf (collectively, "Vishay"), disclaim any and all liability for any errors, inaccuracies or incompleteness contained in any datasheet or in any other disclosure relating to any product.

Vishay makes no warranty, representation or guarantee regarding the suitability of the products for any particular purpose or the continuing production of any product. To the maximum extent permitted by applicable law, Vishay disclaims (i) any and all liability arising out of the application or use of any product, (ii) any and all liability, including without limitation special, consequential or incidental damages, and (iii) any and all implied warranties, including warranties of fitness for particular purpose, non-infringement and merchantability.

Statements regarding the suitability of products for certain types of applications are based on Vishay's knowledge of typical requirements that are often placed on Vishay products in generic applications. Such statements are not binding statements about the suitability of products for a particular application. It is the customer's responsibility to validate that a particular product with the properties described in the product specification is suitable for use in a particular application. Parameters provided in datasheets and/or specifications may vary in different applications and performance may vary over time. All operating parameters, including typical parameters, must be validated for each customer application by the customer's technical experts. Product specifications do not expand or otherwise modify Vishay's terms and conditions of purchase, including but not limited to the warranty expressed therein.

Except as expressly indicated in writing, Vishay products are not designed for use in medical, life-saving, or life-sustaining applications or for any other application in which the failure of the Vishay product could result in personal injury or death. Customers using or selling Vishay products not expressly indicated for use in such applications do so at their own risk and agree to fully indemnify and hold Vishay and its distributors harmless from and against any and all claims, liabilities, expenses and damages arising or resulting in connection with such use or sale, including attorneys fees, even if such claim alleges that Vishay or its distributor was negligent regarding the design or manufacture of the part. Please contact authorized Vishay personnel to obtain written terms and conditions regarding products designed for such applications.

No license, express or implied, by estoppel or otherwise, to any intellectual property rights is granted by this document or by any conduct of Vishay. Product names and markings noted herein may be trademarks of their respective owners.