

**KILOVAC EV100 Series Contactor With 1 Form X
Contacts Rated 100 Amps Continuous, 900 Vdc**

Product Facts

- 8kV isolation between open contacts permits use for high voltage isolation and carry
- Designed and built in accordance to AIAG QS9000
- 9-36 economized coil
- Hermetically sealed — operates in explosive/harsh environments with no oxidation or contamination of coil or contacts during long periods of non-operation
- Not position sensitive, can be mounted in any orientation

Physical Data

Contact Arrangements —
Main Contacts — SPST-NO-DM (1 Form X)

Dimensions — See drawing

Weight, Nominal — 4.4 oz (126g)

Environmental Data

Shock, 11ms 1/2 Sine (Operating) — 20 G_{peak}

Sine Vibration, 20 G_{peak} —
55-2000 Hz

Noise Emission (at 100 mm distance) — 70dB(a)

Operating Temperature Range —
-40°C to +85°C

Electrical Data

Voltage Rating —
Main Contacts (Max) — 900 Vdc

Current Rating, Continuous —
Main Contacts — 100A
Short Term - 3 mins. — 200A

Hot Switching Performance (Positive Polarity)³ —
50A make/break @ +400Vdc —
50,000 cycles
100A make/ break @ +400Vdc —
6,000 cycles
100A make/break @ -400Vdc —
1,000 cycles
200A make/break @ +400 Vdc —
500 cycles
1,000A break only @ +400 Vdc —
10 cycles
600A make only @ — 25 cycles

Mechanical Life (Min) —
1 million cycles

Dielectric Withstand Voltage —
Between Open Contacts — 5,600
Vrms/8,000 VDC
Contacts to Coil — 2,000 Vrms/4,000 Vdc

Insulation Resistance —
Terminal to Terminal/ Terminals to Coil —
100MΩ min @ 500Vdc new
50MΩ min @ 500Vdc end of life

Coil Data

In Rush Max Current — 3.5 A
High range — 36 Vdc

Avg. Hold Current —
100mA @ 12V, 45 mA @ 24V

Ordering Information

Typical Part Number ►

EV100 A A A N A

Series: _____
EV100 = 100A Contactor

Contact Form: _____
A = 1 Form X (SPST-NO-DM)

Coil Voltage (with Economizer): _____
A = 9-36 Vdc Electrical Economizer
4 = No Economizer⁽¹⁾

Coil Terminals: _____
A = 15 in. (.4 m)

Coil Terminal Connector: _____
N = None - Stripped Wires

Mounting & Power Terminations: _____
A = Bottom Mount (2 x #8); M5 x10

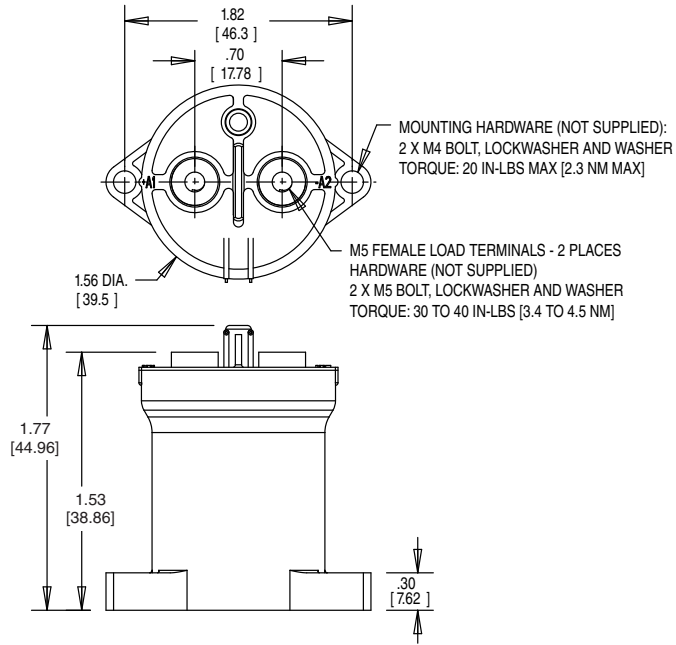
(1) Requires external economizer.

For factory-direct application assistance, dial 800-253-4560, ext. 2055, or 805-220-2055.

KILOVAC EV100 Series (Continued)

Outline Dimensions

Bottom Mount



For factory-direct application assistance,
dial 800-253-4560, ext. 2055, or
805-220-2055.