

KILOVAC CAP202 Series Aerospace Commercial Contactor with 2 Form X (DPST-NO), Contacts Rated up to 300 Amps, 12-600 Vdc

Product Facts

- Designed to be the smallest, lightest weight, lowest cost High Voltage DC contactor with its power ratings
- Not sensitive to power connection polarity
- Built-in electronic coil economizer (other types possible for special applications)
- Up to 4 optional auxiliary contacts, each with three optional configurations: SPTST-NO, SPST-NC and SPDT
- Hermetically sealed-intrinsically safe, operates in explosive/harsh environments with no oxidation or contamination of coil or contacts, including long periods of non-operation
- Versatile coil and power connections



Coil Operating Voltage

Voltage/Nominal Max.	28-32VDC
Pickup Voltage Max.	18VDC
Inrush Current (Max.) @ 28 Vdc	4.0A
Inrush Time (Max.)	150ms
Hold Current (Max.)	0.35A
Drop Out	4 to 8 Vdc
Main Contacts: Operate Time (max.)	25 mS
Main Contacts: Operate Bounce (max.)	10 mS
Main Contacts: Release time	15 mS
Auxiliary Contacts Operate/Release	Within ± 5mS

Ordering Information

Typical Part Number ►

CAP202 A A A N A

Series: CAP202 = 500 Amp, 12-900VDC Contactor

Contact Form:
A = Normally Open
M = Normally Open with Aux. Contacts Config

Coil Voltage:
S = 28 Vdc Coil with Mechanical Dual Coil Economizer

Coil Wire Length:
A = 15.3 in (390 mm)
B = 6.0 in (152 mm)

Coil Terminal Connector:
N = None
E = 9-pin subminiature "D" plug mounted on contactor housing
F = 9-pin subminiature "D" plug mounted on 15.3 in (390 mm) flying leads.
X = Special configuration (consult factory)

Mounting & Power Terminals:
A = Bottom Mount & Female
M6 x 1.0 2X M5

Performance Data

Contact Arrangement, Power

Contacts — DPST-NO Form X

Mechanical Life — 100,000 cycles

Voltage Rating —

Main Contacts (max) — 600 Vdc

Auxiliary Contacts — 30 Vdc

Current Rating, Continuous —

Main Contacts ¹ — 300 A

Auxiliary Contacts — 3 A

Contact Resistance —

Main Contacts —

100 mΩ max @ 1 amp

0.3 mΩ max @ rated current²

Auxiliary Contacts —

200 mΩ max

Hot Switching Performance

(Bi-Polarity) —

100A make break @ ± 270Vdc —

50,000 cycles

250A make/ break @ ± 270Vdc —

1000 cycles

690A make/ break @ ± 360Vdc —

10 cycles

Mechanical Life — 100,000 cycles

Dielectric Withstand Voltage —

Terminal to Terminal/ Terminals to Coil —

1mA max @ 2,200Vrms

Insulation Resistance —

Terminal to Terminal/ Terminals to Coil —

100MΩ min @ 500Vdc

Shock, 11ms 1/2 Sine, Peak,

Operating — 20 G

Vibration, Sine, 55-2000Hz.,

Peak — 20 G

Operating Temperature —

-55°C to +85°C

Weight, Nominal — 1.59 lb. (72 kg)

Notes:

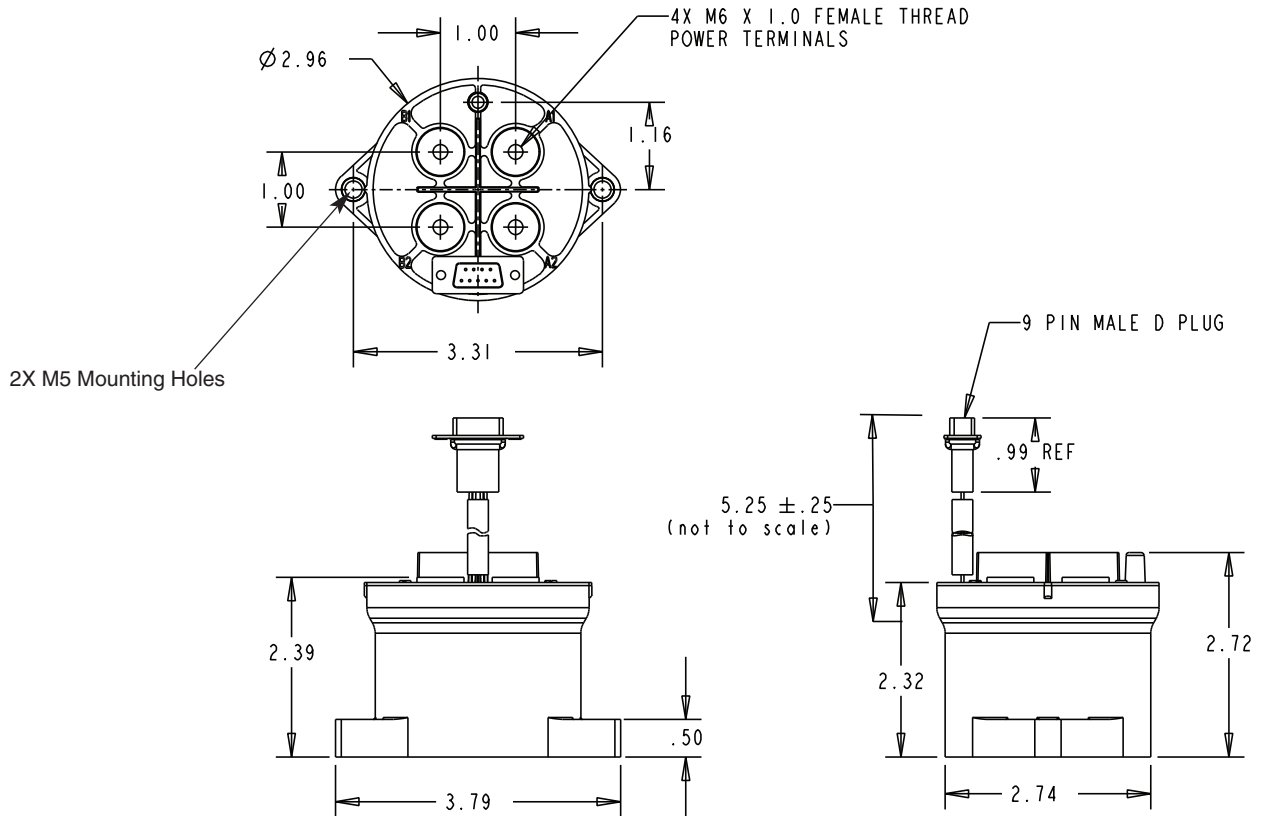
¹ Continuous current rating is affected by conductors attached. Keep terminals below 150°C continuous, 175°C for 1 hour max. and 200°C for 1 min. max.

² Initial contact resistance may be higher than 0.3 mΩ, but will drop below within 30 minutes max.

For factory-direct application assistance, dial 800-253-4560, ext. 2055, or 805-220-2055.

KILOVAC CAP202 Series Aerospace Commercial Contactor (Continued)

Outline Dimensions*



For factory-direct application assistance, dial 800-253-4560, ext. 2055, or 805-220-2055.