

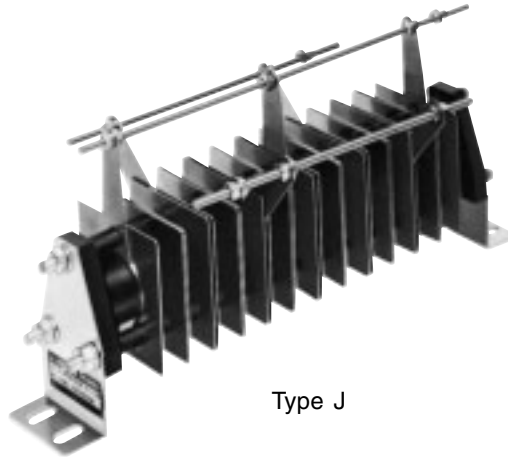
“ZNR” Transient/Surge Absorbers, For Thyristor Protection

Type: **E**

Type: **J**



Type E



Type J

“ZNR” Transient/Surge Absorber for thyristors is especially designed to protect SCR power controllers and SCR power sources from high energy transient over voltages.

The ZNR is smaller in size and excellent in the clamping voltage characteristics as compared with a conventional selenium surge absorber. The ZNR Type E is for relatively low handling capacity of transformer and Type J is for heavy duty use.

● RoHS compliant

■ Recommended Applications

- Surge protection of SCR* power controllers
- Surge protection of SCR* power sources
- * SCR = Silicone Controlled Rectifiers

Note: Ask our factory for Product Specification before use.

■ Minimum Quantity / Packing Unit

Please see Page 360

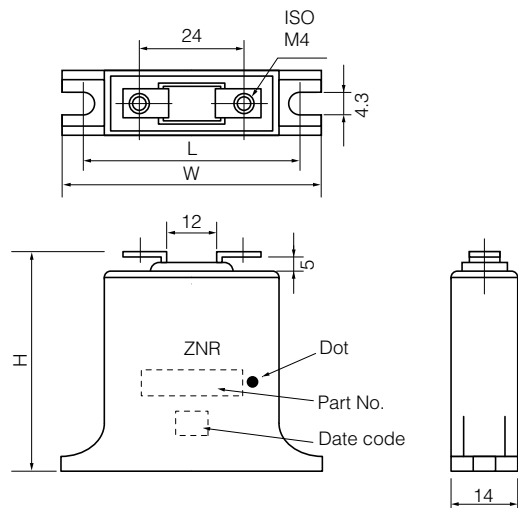
“ZNR” Transient/Surge Absorbers, Type E

■ Ratings and Characteristics (Type E)

- Operating Temperature Range: -40 to 85 °C
- Storage Temperature Range: -40 to 110 °C

Part No.	Varistor Voltage	Maximum Allowable Voltage		Maximum Clamping Voltage		Impulse Life (2 ms, 10 ⁴ times)	Commutation Surge Ratio
	V _{1 mA} (V)	ACrms (V)	DC (V)	V _{1p} (V)	I _p (A)	(A)	—
ERZC20EK511P	498 to 542	242	342	760	10	10	1.45
ERZC20EK541P	523 to 560	264	373	785			1.40
ERZC20EK681P	630 to 678	330	467	950			1.35
ERZC20EK821P	788 to 848	412	583	1185			1.35
ERZC20EK911P	840 to 904	440	622	1265			1.35
ERZC20EK102P	945 to 1017	495	700	1425			1.35
ERZC20EK112P	1051 to 1181	550	775	1655			1.35
ERZC32EK511P	498 to 542	242	342	760	20	20	1.45
ERZC32EK541P	523 to 560	264	373	785			1.40
ERZC32EK681P	630 to 678	330	467	950			1.35
ERZC32EK821P	788 to 848	412	583	1185			1.35
ERZC32EK911P	840 to 904	440	622	1265			1.35
ERZC32EK102P	945 to 1017	495	700	1425			1.35
ERZC32EK112P	1051 to 1181	550	775	1655			1.35

■ Dimensions in mm (not to scale) (Type E)



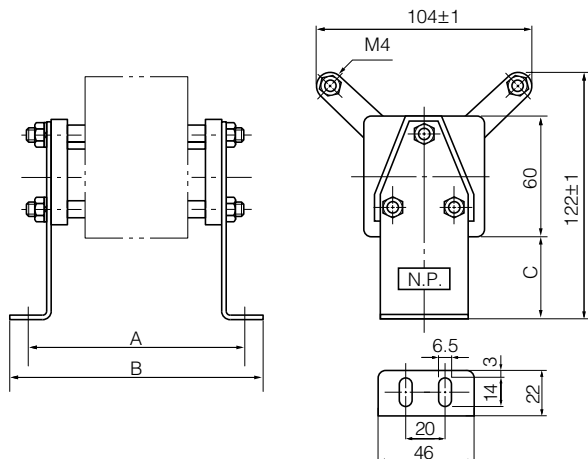
Part No.	W	H	L
ERZC20EK□□□P	48±1	42±1	39±1
ERZC32EK□□□P	60±1	55±1	51±1

Design and specifications are each subject to change without notice. Ask factory for the current technical specifications before purchase and/or use. Should a safety concern arise regarding this product, please be sure to contact us immediately.

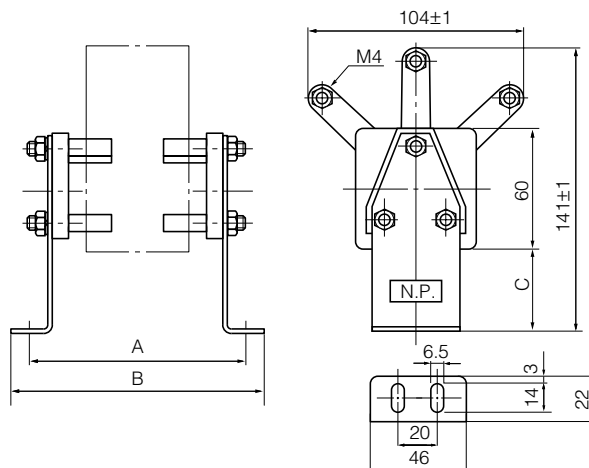
“ZNR” Transient/Surge Absorbers, Type J

■ Dimensions in mm (not to scale)

Style (1)



Style(2)



■ Ratings and Characteristics (Type J)

- Operating Temperature Range: -40 to 70 °C
- Storage Temperature Range: -40 to 110 °C

Part No.	Connection	Maximum Allowable Voltage		Maximum Clamping Voltage		Impulse Life (2 ms, 10 ⁴ times)	Commutation Surge Ratio	Dimensions in mm			
		ACrms (V)	DC (V)	V _{IP} (V)	I _p (A)			(A)	Style	A	B
ERZU11JP511	Single	242	342	760	40	40	1.45	(1)	88	108	20
EZRZU12JP511					70	70			104	124	
ERZU13JP511					95	95			121	141	
ERZU14JP511					125	125			138	158	
ERZU15JP511					150	150			155	175	
ERZU16JP511					180	180			172	192	
ERZU17JP511					210	210			189	209	
ERZU11JP511B	Delta	242	—	760	40	40	1.45	(2)	120	140	20
ERZU12JP511B					70	70			169	189	
ERZU13JP511B					95	95			219	239	
ERZU14JP511B					125	125			268	288	
ERZU11JP541	Single	264	373	785	40	40	1.40	(1)	88	108	20
ERZU12JP541					70	70			105	125	
ERZU13JP541					95	95			122	142	
ERZU14JP541					125	125			139	159	
ERZU15JP541					150	150			156	176	
ERZU16JP541					180	180			172	192	
ERZU17JP541					210	210			189	209	
ERZU11JP541B	Delta	264	—	785	40	40	1.40	(2)	121	141	20
ERZU12JP541B					70	70			171	191	
ERZU13JP541B					95	95			221	241	
ERZU14JP541B					125	125			270	290	

Design and specifications are each subject to change without notice. Ask factory for the current technical specifications before purchase and/or use.
Should a safety concern arise regarding this product, please be sure to contact us immediately.

Part No.	Connection	Maximum Allowable Voltage		Maximum Clamping Voltage		Impulse Life (2 ms, 10 ⁴ times)	Commutation Surge Ratio	Dimensions in mm			
		ACrms (V)	DC (V)	V _{ip} (V)	I _p (A)			(A)	Style	A	B
ERZU21JP102 ERZU22JP102 ERZU23JP102 ERZU24JP102 ERZU25JP102 ERZU26JP102	Single	484	684	1520	40 70 95 125 150 180	40 70 95 125 150 180	1.45	(1)	102 135 168 199 230 261	122 155 188 219 250 281	20
ERZU21JP102B ERZU22JP102B	Delta	484	—	1520	40 70	40 70	1.45	(2)	166 261	186 281	20
ERZU21JP112 ERZU22JP112 ERZU23JP112 ERZU24JP112 ERZU25JP112 ERZU26JP112	Single	528	746	1570	40 70 95 125 150 180	40 70 95 125 150 180	1.40	(1)	103 136 169 200 232 264	123 156 189 220 252 284	20
ERZU21JP112B ERZU22JP112B	Delta	528	—	1570	40 70	40 70	1.40	(2)	168 264	188 284	20
ERZU21JP132F ERZU22JP132F ERZU23JP132F ERZU24JP132F ERZU25JP132F ERZU26JP132F	Single	660	933	1900	40 70 95 125 150 180	40 70 95 125 150 180	1.35	(1)	149 182 214 246 278 310	169 202 234 266 298 330	40
ERZU21JP132H ERZU22JP132H	Delta	660	—	1900	40 70	40 70	1.35	(2)	213 309	233 329	40
ERZU21JP162F ERZU22JP162F ERZU23JP162F ERZU24JP162F ERZU25JP162F ERZU26JP162F	Single	825	1167	2375	40 70 95 125 150 180	40 70 95 125 150 180	1.35	(1)	150 184 218 252 286 320	170 204 238 272 306 340	40
ERZU21JP162H ERZU22JP162H	Delta	825	—	2375	40 70	40 70	1.35	(2)	217 317	237 337	40
ERZU21JP192F ERZU22JP192F ERZU23JP192F ERZU24JP192F ERZU25JP192F ERZU26JP192F	Single	990	1400	2850	40 70 95 125 150 180	40 70 95 125 150 180	1.35	(1)	152 187 222 257 292 327	172 207 242 277 312 347	40
ERZU21JP192H ERZU22JP192H	Delta	990	—	2850	40 70	40 70	1.35	(2)	222 327	242 347	40
ERZU21JP222F ERZU22JP222F ERZU23JP222F ERZU24JP222F	Single	1100	1550	3325	40 70 95 125	40 70 95 125	1.35	(1)	154 190 227 264	174 210 247 284	40
ERZU21JP222H	Delta	1100	—	3325	40	40	1.35	(2)	227	247	40
ERZU31JP252F ERZU32JP252F ERZU33JP252F ERZU34JP252F	Single	1320	1867	3800	40 70 95 125	40 70 95 125	1.35	(1)	167 218 269 320	187 238 289 340	40
ERZU31JP252H	Delta	1320	—	3800	40	40	1.35	(2)	266	288	40

Design and specifications are each subject to change without notice. Ask factory for the current technical specifications before purchase and/or use. Should a safety concern arise regarding this product, please be sure to contact us immediately.