

3SD4 Series (3 Electrode Surface Mount)

Part Number	UL Approved P/N See Note3	3SD4-75	3SD4-90	3SD4-145	3SD4-200	3SD4-230
DC Spark-over Voltage	100V/ μ (V)	75V \pm 20%	90V \pm 20%	145V \pm 20%	200V \pm 20%	230V \pm 20%
Impulse Spark-over Voltage	1kV/ μ (V)	\leq 600V	\leq 600V	\leq 600V	\leq 600V	\leq 650V
Insulation Resistance	(Ω)	>10G(50VDC)	>10G(50VDC)	>10G(50VDC)	>10G(100VDC)	>10G(100VDC)
Capacitance	1MHz	\leq 0.5pF	\leq 0.5pF	\leq 0.5pF	\leq 0.5pF	\leq 0.5pF
Impulse Discharge(A+B-E)	8/20 μ s	5kA	5kA	5A	5kA	10kA
AC Discharge Current(A+B-E)	AC 50Hz	10A	10A	10A	10A	10A
Impulse Life(A+B-E)	8/20 μ s	200A,1000times	200A,1000times	200A,1000times	200A,1000times	200A,1000times
DC Holdover Voltage	(V)	52V	52V	80V	135V	135V

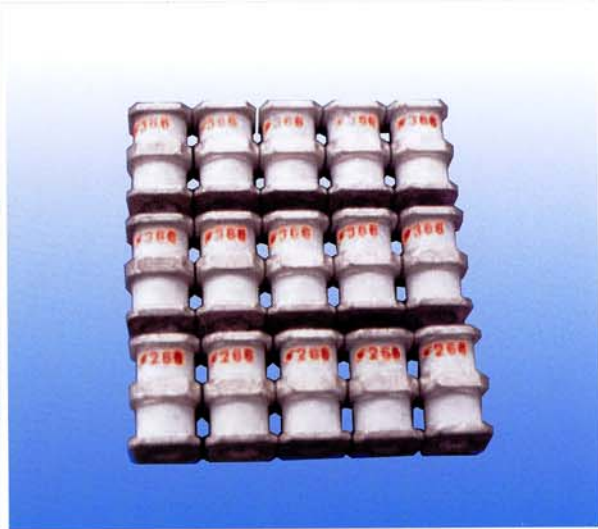
* Measurement is performed in dark mode.
** Test circuit shall comply with ITU-T Figure4/K.12

Marking

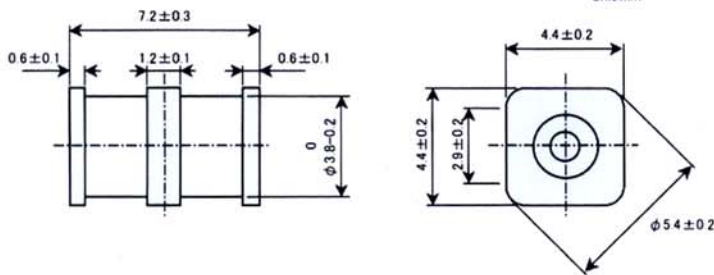
 468

*Position optional

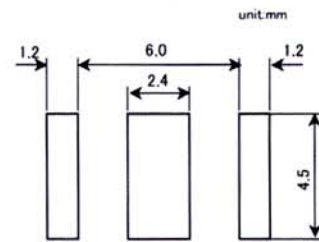
-  - Symbol Logo
 - 4 - Abbreviation of Nominal DC Spark-over Voltage ex) 1 : 75V
 - 6 - Production Year ex) 2006 : 6
 - 8 - Production Month
- | | |
|-------------------|----------|
| 2 : 90V | 3 : 145V |
| 4 : 200V | 5 : 230V |
| Jan.~Sep. : 1~9 | |
| Oct.~Dec. : X.Y.Z | |



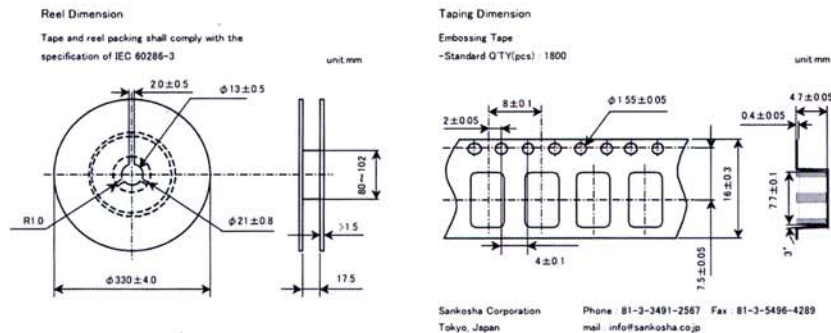
Construction and dimensions



Recommended land pattern



Packing



Note:

1. Insulation Resistance shall be measured with the following voltages for each nominal DC Sparkover Voltage.

Nominal DC Sparkover Voltage	Measuring Voltage
75-145V	DC 50V
200-230V	DC 100V

2. DC Holdover Voltage shall be measured in accordance with the ITU-T K.12 Test Circuit or the IEEE C62.31 1987 Test Circuit.

3. Recognized under UL497B, File Number E140906.