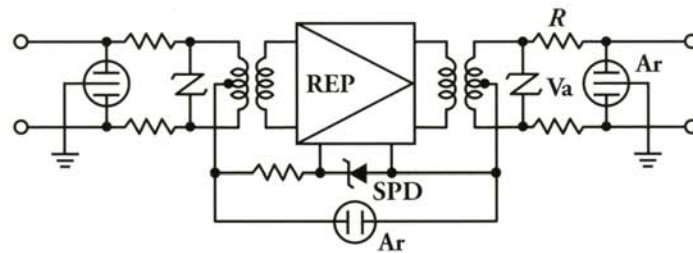
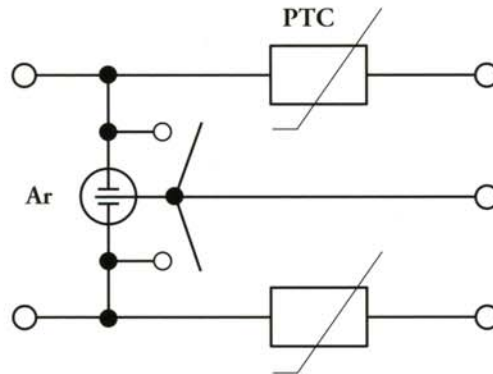
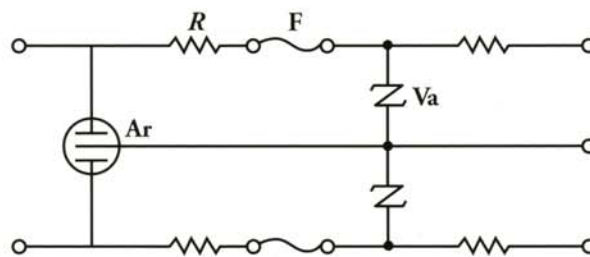


EXAMPLE OF COMMUNICATION LINES



Protective Circuit with 3-pole arrester



Ar : Arrester Va : Varister R : Resistor F : Fuse

Protective Circuit for PBX