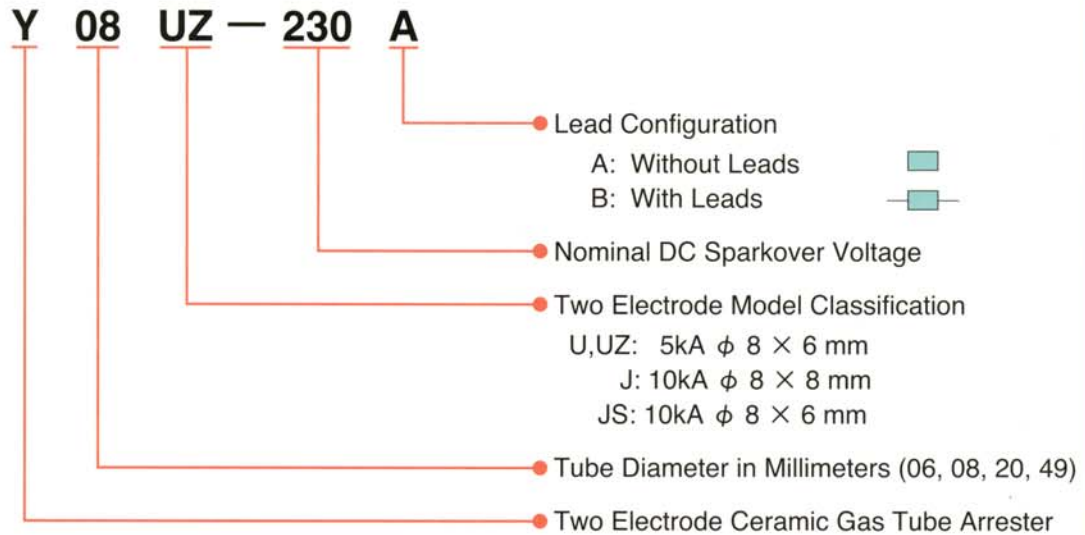


Standard Part Number Definitions

Two Electrode Arresters

■ Example: Part Number Y08UZ-230A



Three Electrode Arresters

■ Example: Part Number 3H-230J1F5

