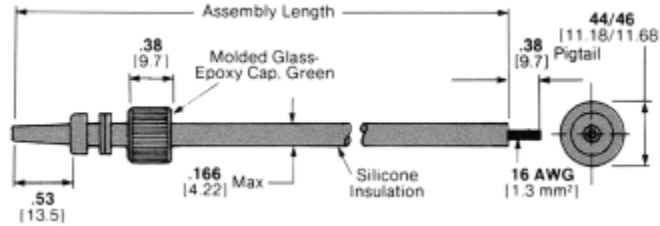


LGH Lead Assemblies and Receptacles, 10 KVDC, LGH 1/2

Single End Lead Assemblies

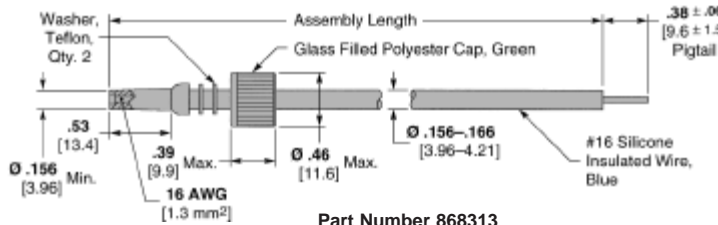


Part Number 830611

Assembly Length	Part Number
6.0	2-830611-1
152.4	2-5830611-1*
12.0	4-830611-8
304.8	4-5830611-8*
18.0	2-830611-5
457.2	2-5830611-5*
24.0	830611-1
609.6	5830611-1*
36.0	1-830611-0
914.4	1-5830611-0*
48.0	2-830611-3
1219.2	2-5830611-3*

\*RoHS compliant Part Number.

Single Molded End Lead Assemblies

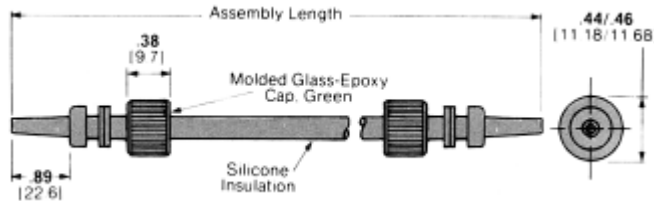


Part Number 868313

Assembly Length	Part Number
24.0	868313-3
609.6	5-868313-3*

\*RoHS compliant Part Number.

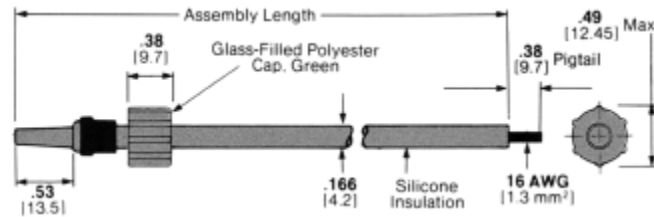
Double End Lead Assemblies



Part Number 830612

Assembly Length	Part Number
6.0	830612-3
152.4	830612-2
12.0	830612-2
304.8	830612-2
18.0	830612-8
457.2	830612-8
24.0	830612-1
609.6	830612-1
36.0	2-830612-6
914.4	2-830612-6
48.0	830612-4
1219.2	830612-4

Single End Lead Assemblies with Positive Stop Ferrules

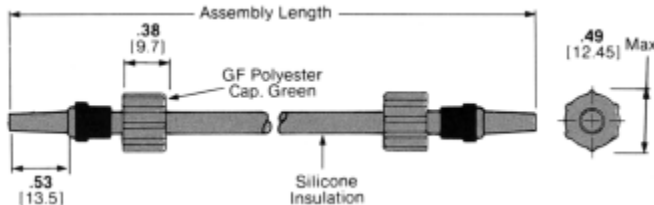


Part Number 862545

Assembly Length	Part Number
6.0	862545-1
152.4	5-862545-1*
12.0	862545-4
304.8	5-862545-4*
18.0	862545-6
457.2	5-862545-6*
24.0	862545-8
609.6	5-862545-8*
36.0	1-862545-8
914.4	6-862545-8*
48.0	1-862545-1
1219.2	1-862545-1

\*RoHS compliant Part Number.

Double End Lead Assemblies with Positive Stop Ferrules



Part Number 862546

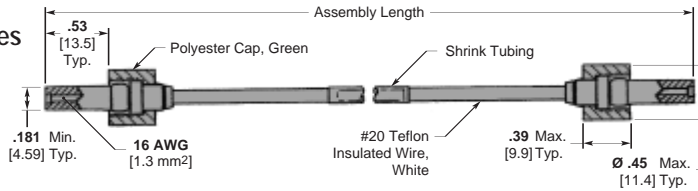
Assembly Length	Part Number
6.0	862546-1
152.4	862546-1
12.0	862546-4
304.8	862546-4
18.0	862546-6
457.2	862546-6
24.0	862546-8
609.6	862546-8
36.0	1-862546-0
914.4	1-862546-0
48.0	1-862546-5
1219.2	1-862546-5

**Note:** Standard length leads are tabulated here. Tyco Electronics can make available numerous variations in lengths and material to suit almost any application. Choices of insulation materials include TEFLON, UL listed silicone and UL listed PVC. Other materials, colors, wire and configurations can be used in manufacture. For more information, consult Tyco Electronics.

TEFLON is a trademark of E. I. DuPont de Nemours and Company.

LGH Lead Assemblies and Receptacles, 10 KVDC, LGH 1/2 (Continued)

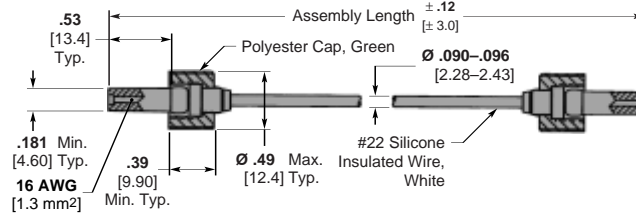
Double End Lead Assemblies with Positive Stop Ferrules with Teflon Wire



Part Number 860529

Assembly Length	Part Number
6.0 152.4	860529-2
7.0 177.8	860529-6
10.0 254.0	860529-8
13.0 330.2	1-860529-0
16.0 406.4	860529-4

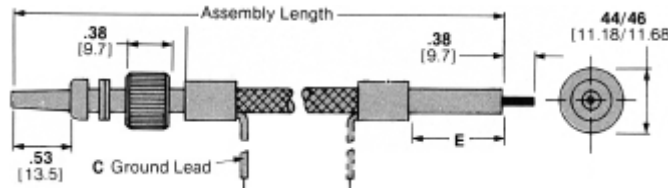
Double End Lead Assemblies with Positive Stop Ferrules with #22 Wire



Part Number 449578

Assembly Length	Part Number
11.0 ± .12 279.4 ± 3.0	449578-1

Shielded Single End Lead Assemblies with Ground Lead

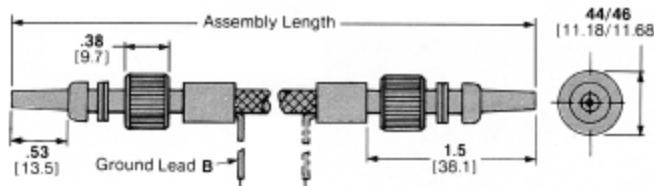


Part Number 846985

Assembly Length	Dims.			Part Number
	C	E		
12.0 304.8	6.0 152.4	2.0 50.8	2.0	846985-9
18.0 457.2	6.0 152.4	1.5 38.1	1.5	2-846985-2
24.0 609.6	6.0 152.4	1.5 38.1	1.5	2-846985-3
36.0 914.4	12.0 304.8	2.0 50.8	2.0	1-846985-8

\*RoHS compliant Part Number.

Shielded Double End Lead Assemblies with Ground Lead



Part Number 858885

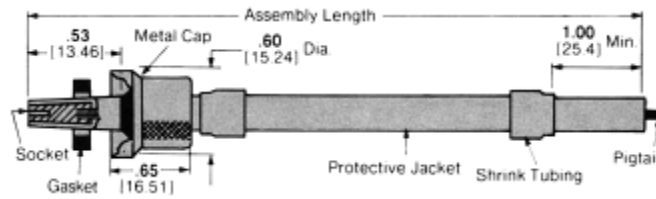
Assembly Length	Dim. B	Part Number
12.0 304.8	8.0 203.2	858885-3
18.0 457.2	152.4	2-858885-7
24.0 609.6	8.0 203.2	858885-4
36.0 914.4	6.0 152.4	2-858885-5 7-858885-5*
48.0 1219.2	6.0 152.4	858885-6

\*RoHS compliant Part Number.

TEFLON is a trademark of E. I. DuPont de Nemours and Company.

LGH Lead Assemblies and Receptacles, 10 KVDC, LGH 1/2 (Continued)

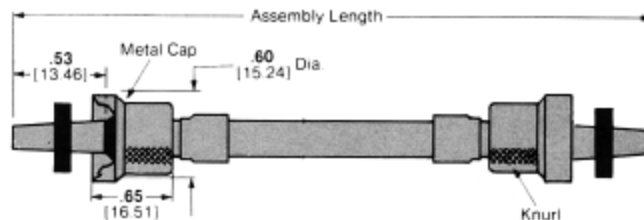
RFI Shielded Single End Lead Assemblies\*



Part Number 861807

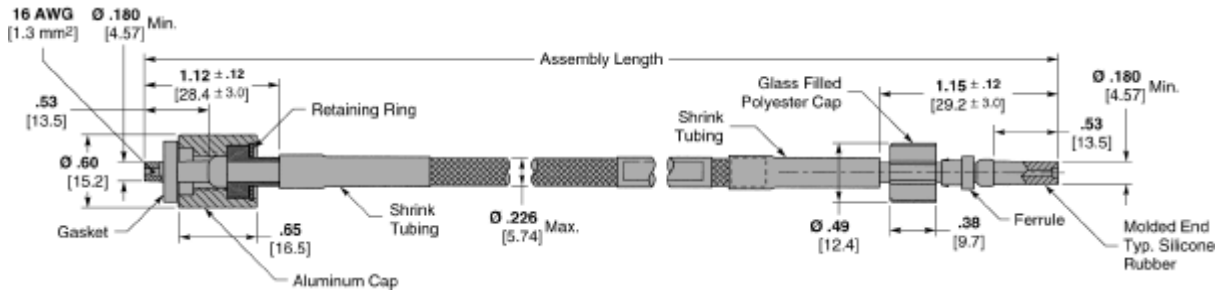
Assembly Length	Part Number
12.0	861807-1
304.8	
18.0	861807-2
457.2	
24.0	861807-7
609.6	
36.0	861807-9
914.4	

RFI Shielded Double End Lead Assemblies\*



Part Number 861808

Assembly Length	Part Number
12.0	861808-1
304.8	
18.0	861808-9
457.2	
24.0	1-861808-0
609.6	
36.0	1-861808-2
914.4	
48.0	1-861808-6
1219.2	



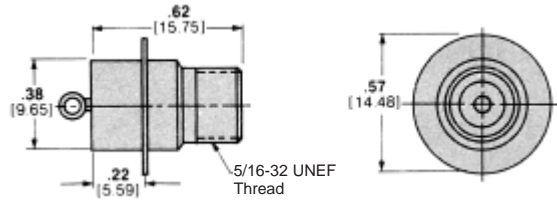
Part Number 863330-1

Assembly Length	Part Number
18.0	863330-1
457.2	

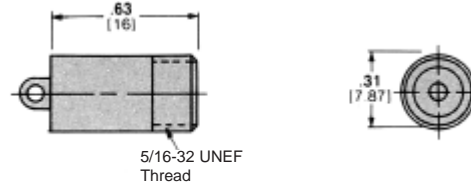
\* These RFI Shielded Lead Assemblies mate with Receptacle Part Number 861252-1.

**Glass-Epoxy Receptacles with .53 [13.46] Barrel Depth**

Flanged, for Hermetic Seal  
 Part Number 861252-1  
 RoHS Part Number 5-861252-1  
 Weight — 2 grams

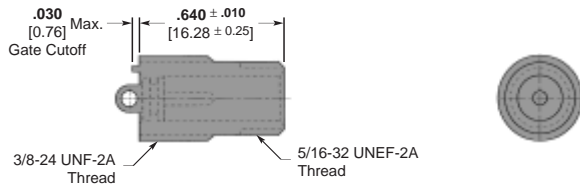


For Encapsulated Units  
 Part Number 830178-1  
 RoHS Part Number 5-830178-1  
 Weight — 1.2 grams



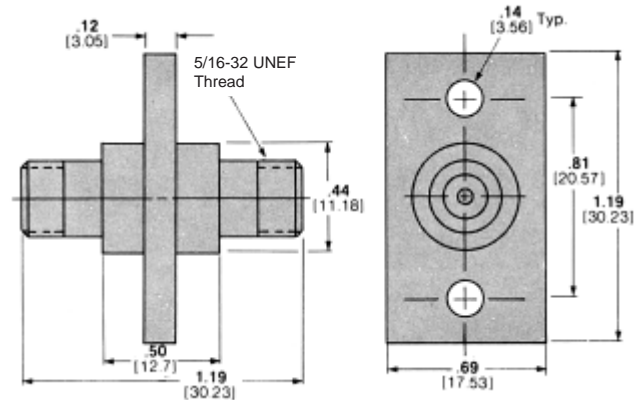
Receptacles are available with gold plated contacts.

**Special Receptacle**  
 Part Number 448462-1

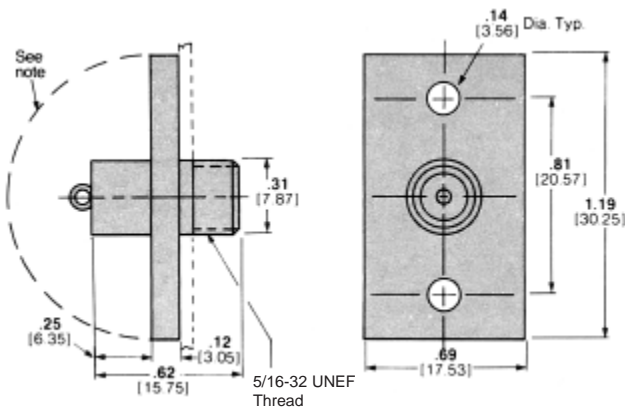


**Note:** Receptacle will accept a LGH 1/2 lead with a .53 [13.5] molded end length.

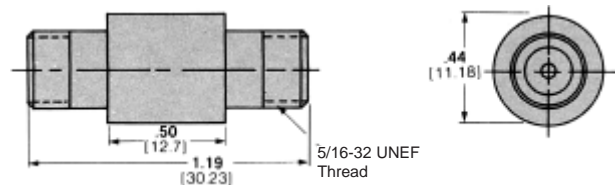
**Bolt-mount, Feed-through**  
 Part Number 830174-1  
 Weight — 5.8 grams



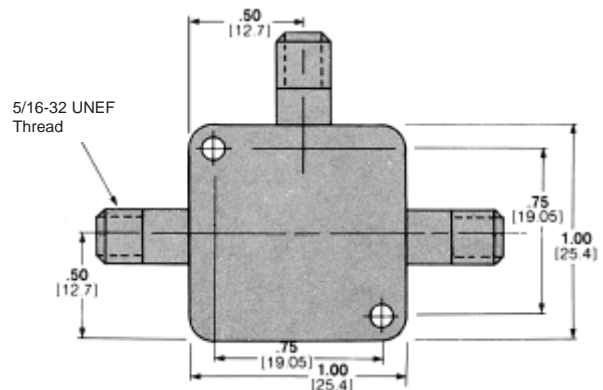
**Flanged, Bolt Mount**  
 Part Number 830395-1  
 RoHS Part Number 5-830395-1  
 Weight — 4.2 grams



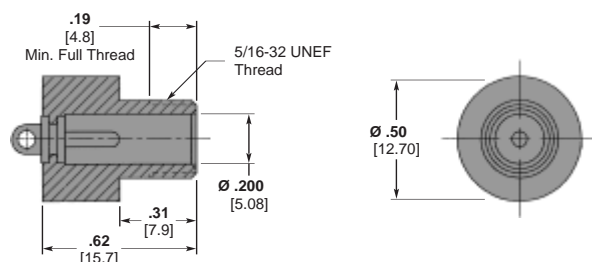
**Splice**  
 Part Number 830177-1  
 Weight — 3.5 grams



**T Connector**  
 Part Number 849418-1  
 Weight — 15 grams



**Receptacle**  
 Part Number 830200-1  
 RoHS Part Number 5-830200-1



**Note:** Receptacle to mate with LGH 1/2 Lead Assembly.