

Feature

1. Carbon element
2. Switch option
3. Wide assortment of resistance tapers

F-17 Molded Case Rotary Potentiometer

Electrical characteristics

- Total Resistance.....100 Ω ~1M Ω
- Total Resistance Tolerance..... ± 20%
- Resistance Taper.....A,B,C,D
- Max.Operator Voltage.....Linear Taper B: AC 200V.Other Tapers:AC150V
- Rated Power.....Linear Taper B: 0.1W Other Tapers:0.05W
- Sliding Noise.....Less than 100mv
- Residual Resistance..... Term.1~2:Less than 10 Ω
Term.2~3:Less than 10 Ω
- Switch Circuit.....S.P.S.T
- Switch Contact Resistance.....Less than 50m Ω
- Withstand Voltage.....1 Minute at AC 500V
- Switch Rated Power..... 1.0A at AC/DC 12V

Mechanical characteristics

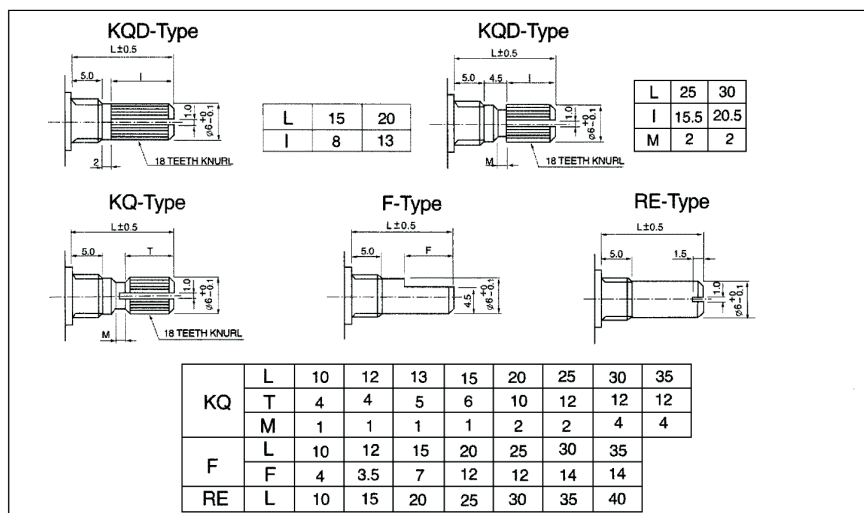
- Total Rotational Angle.....260° ±10°
- Rotational Torque.....20gf.cm~100gf.cm
- Switch Torque.....150gf.cm~450gf.cm
- Rotational Stopper Strength.....3.0kgf.cm Min.
- Push-Pull Strength..... 8.0kgf.cm Min
- Switch Rotational Angle.....30°±10°

Durability

- Rotational Life.....10,000 Cycles

Shaft illustration

Standard Dimensions of Shaft for F-17 Series.
(Customer designs are welcomed)



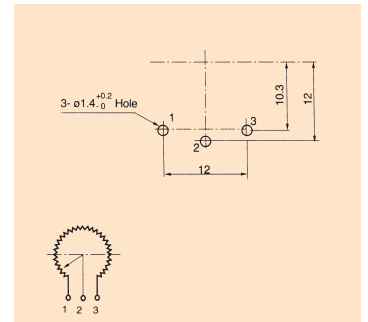
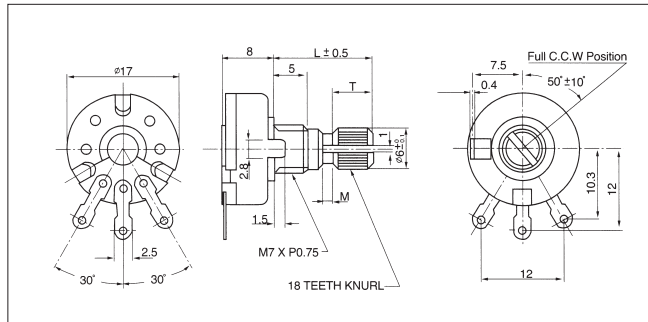
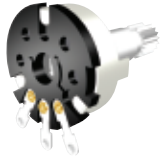


F-17 Series (ø17.0mm)



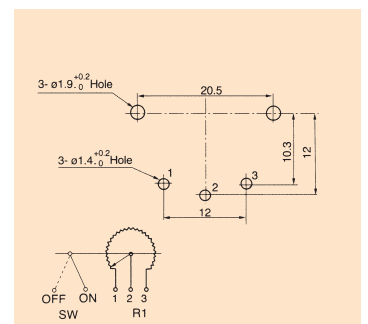
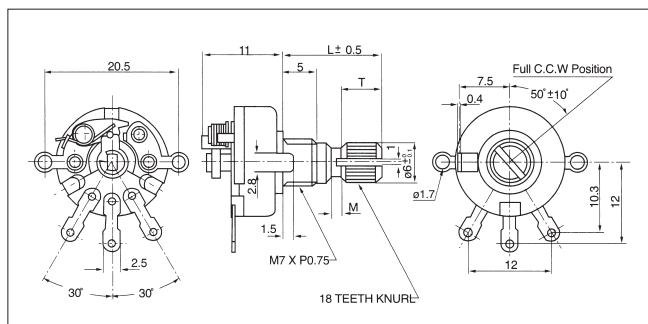
F-17N

Standard Type, Single Unit



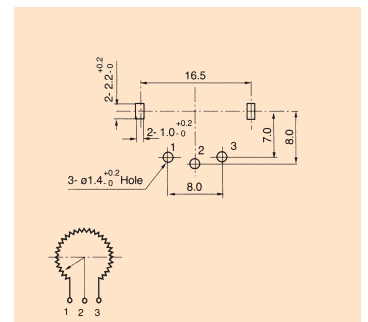
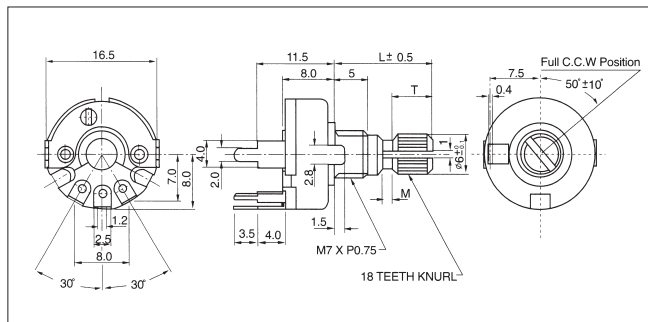
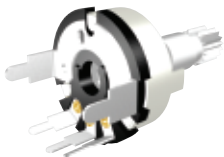
F-17S

Standard Type with Switch, Single Unit



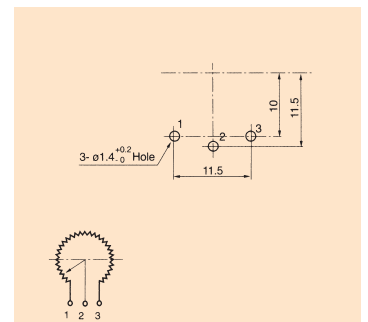
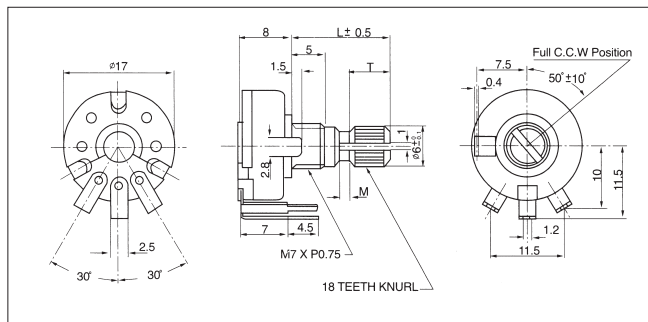
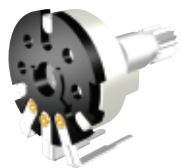
F-17NP1

Horizontal Type, Single Unit



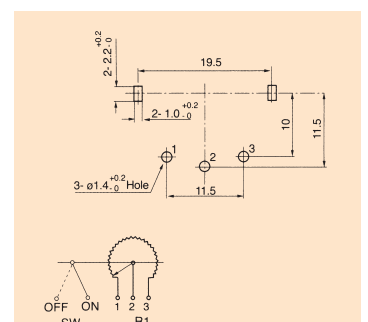
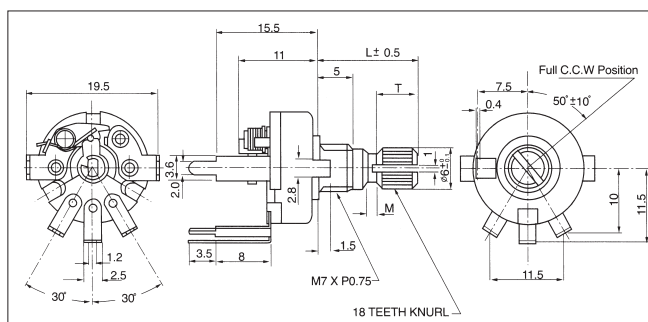
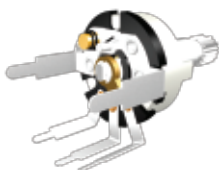
F-17NPD

Reverse Type, Single Unit



F-17SP

Horizontal Type with Switch, Single Unit



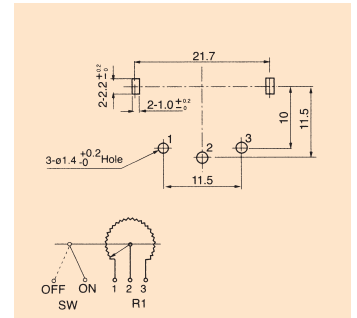
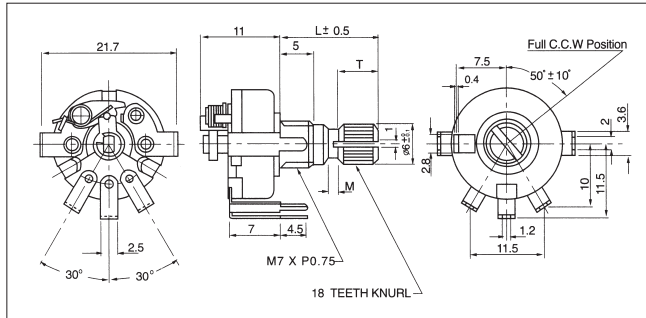


F-17 Series (ø17.0mm)



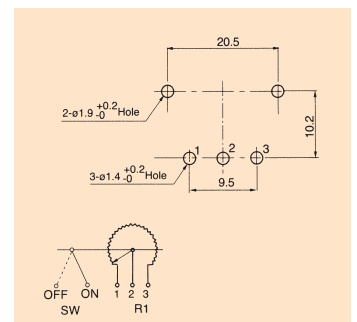
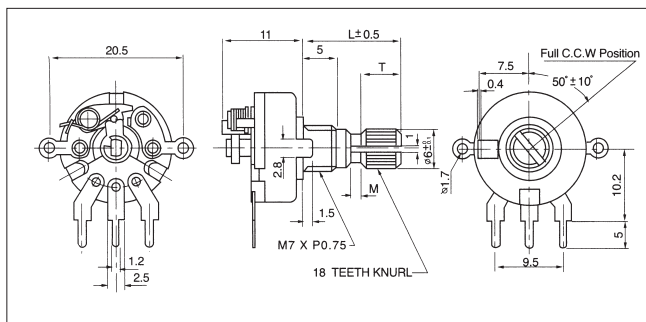
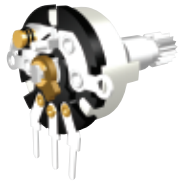
F-17SPD

Reverse Type with Switch,
Single Unit, P.C.B Terminal



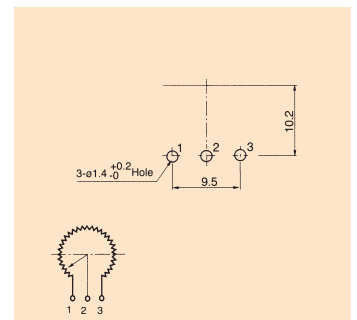
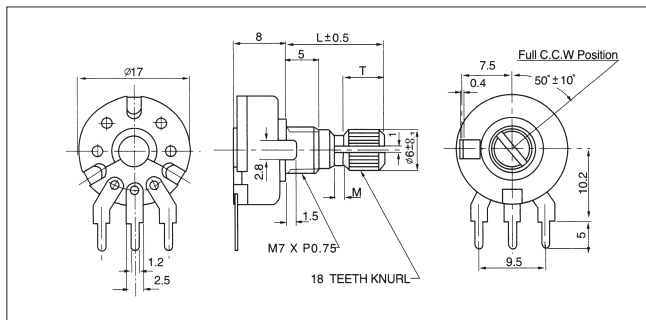
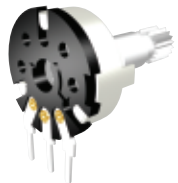
F-17S2

Mixture Type with Switch,
Single Unit, P.C.B Terminal



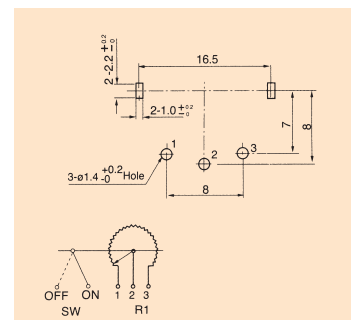
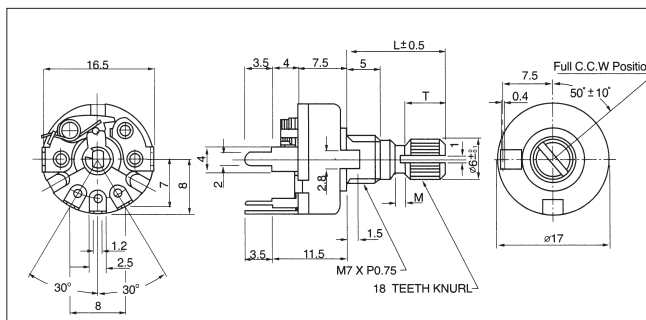
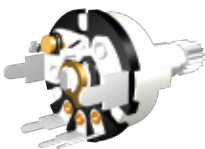
F-17N2

Vertical Type, Single Unit
P.C.B Terminal



F-17SP1

Horizontal Type, Single Unit
P.C.B Terminal



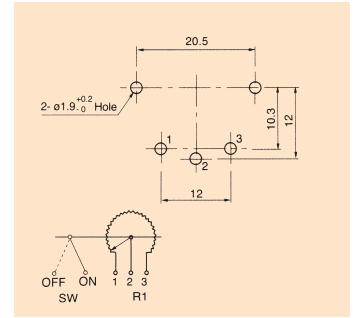
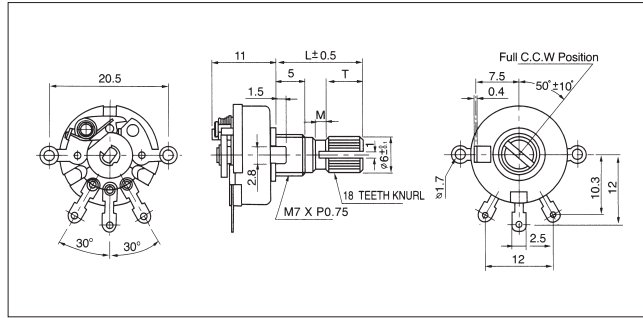


F-17 Series (ø17.0mm)

Rotary Potentiometer

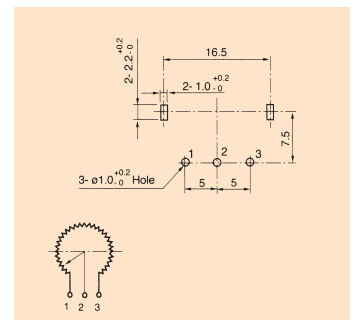
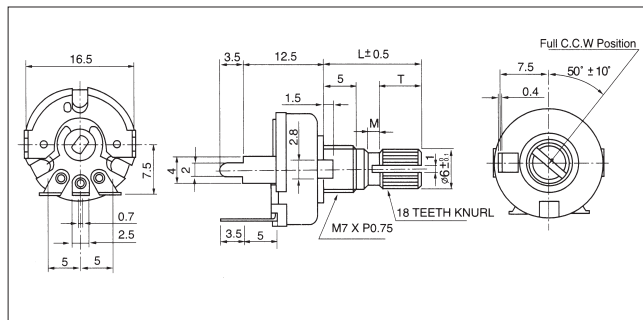
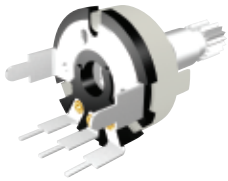
F-17S-10

Vertical Type with Switch, Single Unit Solder Terminal.



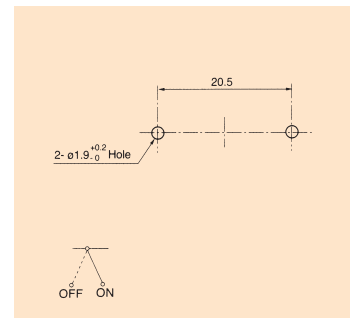
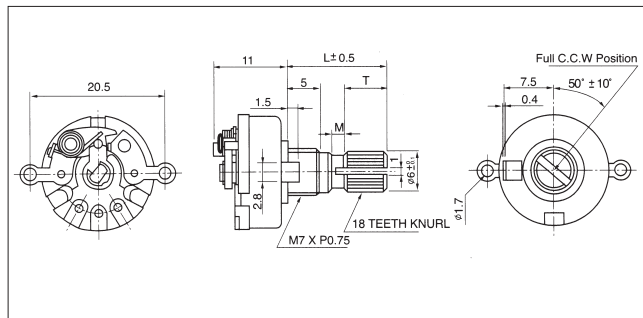
F-17NP3

Horizontal Type, Single Unit. P.C.B. Terminal.



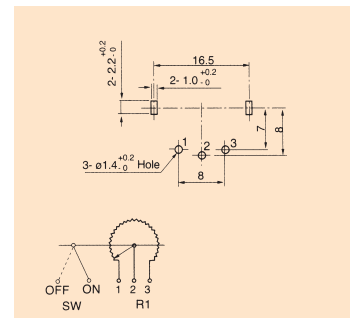
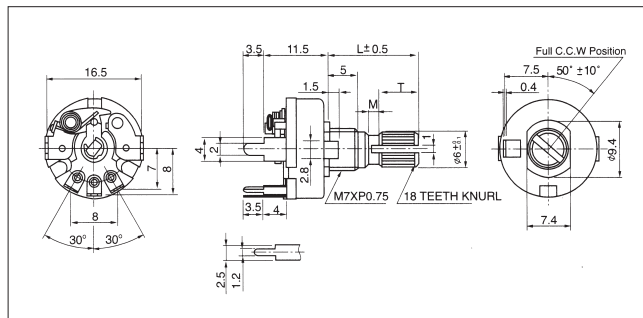
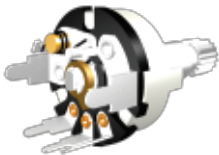
F-17SW

Switch only,



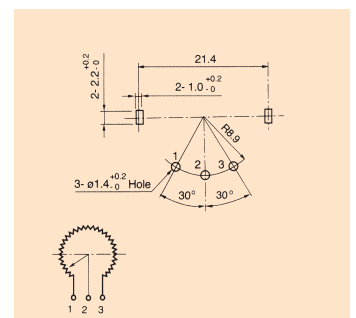
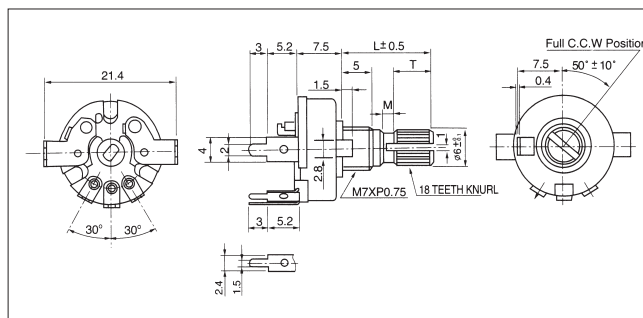
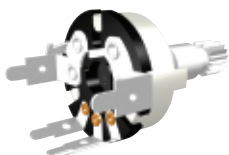
F-17SP8

Horizontal Type with Switch, Single Unit, P.C.B. Terminal



F-17SNP3

Horizontal Type, Single Unit, P.C.B. Terminal





Part number system of mold case potentiometer

